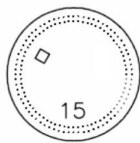
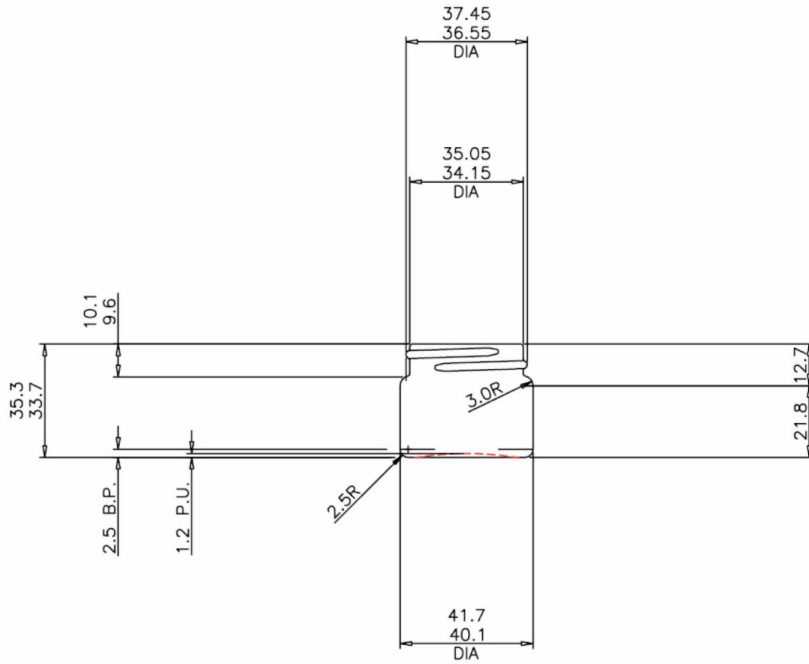


15ml Clear Glass Ointment Jar

NECK DATA: TO R3/38 SPECIFICATION, 1 1/8 TURNS OF FULL THREAD, DEPRESSED 0.2 AT MOULD JOINT.



VIEW ON BASE
SHOWING EMBOSSED MARKING
STANDING AREA EMBOSSED
WITH KNURLING.

OJ3380015C			
15ml Clear Ointment Jar			
Scale 1:1 (A2)	Neck Finish R3/38	Capacity to fill point 25.0ml	Note: Filling point measured from top centrally inside neck unless otherwise specified
Designer ON	Approx Weight 37g	Capacity tolerance (bulk) ± 1ml	
Checked JL	Fill Point 0.0 down	Capacity Brimfull 25.0ml	Dimensions in Millimetres
Untolerated dimensions are for mould making guidance only and should be regarded as approximate.			