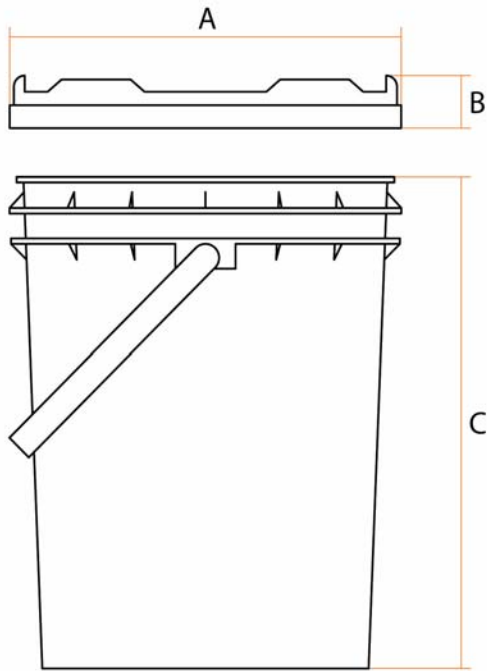


PRODUCT SPECIFICATION SHEET

Product	UN Mark	
SC1320 19.5ltr UN Bucket	1H2/Y26/S/**F/BVT250510/ LAR	



Bucket	
Material	High Density Polyethylene
Fabrication	Injection moulded
Handle	Black Plastic
Nominal Capacity	19.5ltr
Brimful Capacity	21ltr +/-0.61
Nominal Weight	724g +/-5%
Pallet Quantity	240
Pallet Size	1000x1200mmx1600mm
Weight per Pallet	
Stock Colours	Non stock item 3 week lead-time

Dimensions	mm	Lid - CO1320	
Lid Diameter 'A'	322 +/-2.5	Material	Mixed Density Polyethylene
Lid Height 'B'	28 +/-0.4	Fabrication	Injection moulded
Bucket Height 'C'	315 +/-1.8	Height	28mm +/-0.4
Bucket Top Diameter	319 +/-2.5	External Dia	322mm +/-2.5
Bucket Base Diameter	278 +/-1.8	Nominal Weight	250g +/-5%
		Pack Size	Packed on top of buckets
		Stock Colours	Non stock item 3 week lead-time

Additional Information

PPREF	Issue	Date of Issue	Approved By
IT	A	08/05/07	Roy Miller

UNCONTROLLED COPY