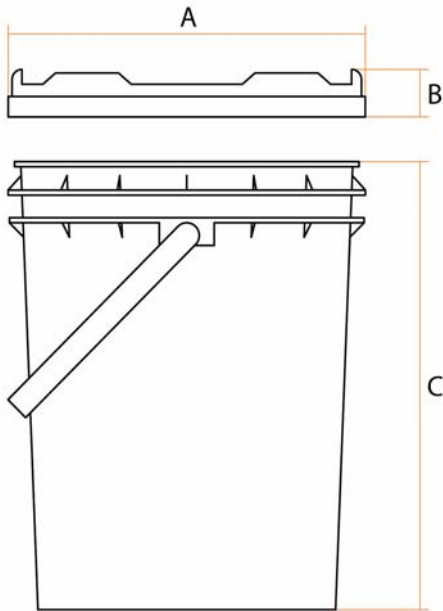


PRODUCT SPECIFICATION SHEET

Product	UN Mark
SC1305 5ltr UN Bucket	1H2/Y7/S/**F/BVT250508/LAR



Bucket	
Material	High Density Polyethylene
Fabrication	Injection moulded
Handle	Black Plastic
Nominal Capacity	5ltr
Brimful Capacity	5.7ltr +/-0.71
Nominal Weight	265g +/-5%
Pallet Quantity	750
Pallet Size	1000x1200mmx1400mm
Weight per Pallet	
Stock Colours	Non stock item 3 week lead-time

Dimensions	mm	Lid - CO1305	
Lid Diameter 'A'	195 +/-1.2	Material	Mixed Density Polyethylene
Lid Height 'B'	27.5 +/-0.4	Fabrication	Injection moulded
Bucket Height 'C'	248.5 +/-1.8	Height	27.5mm +/-0.4
Bucket Top Diameter	192 +/-1.2	External Dia	195mm +/-1.2
Bucket Base Diameter	166.5 +/-1.2	Nominal Weight	64g +/-5%
		Pack Size	Packed on top of buckets
		Stock Colours	Non stock item 3 week lead-time

Additional Information

PPREF	Issue	Date of Issue	Approved By
IT	A	08/05/07	Roy Miller