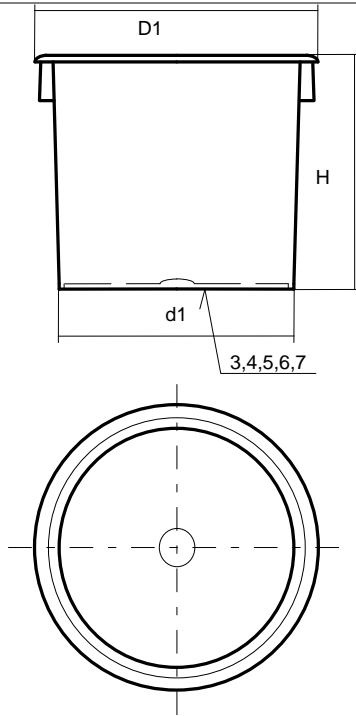


PRODUCT SPECIFICATION SHEET

Product	UN Mark	
EZ850 8.5ltr UN Round Bucket	1H2/Y10/S/Jahr/A/PA-01/ TGM-K82	



Bucket	
Material	High Density Polyethylene
Fabrication	Injection moulded
Handle	Metal
Nominal Capacity	8.5ltr
Brimful Capacity	9.5ltr
Nominal Weight	329g +/-10
Pallet Quantity	400
Pallet Size	1200x800x1800mm
Weight per Pallet	175kg
Stock Colours	Non stock item 2-3 week lead-time

Dimensions	mm	Lid - DZ850/1000	
Height	225 +/-1%	Material	Low Density Polyethylene
Top Diameter 'D1'	268 +/-1%	Fabrication	Injection moulded
Base Diameter 'd1'	223 +/-1%	Height	15mm +/-1%
		External Dia	270mm +/-1%
		Nominal Weight	100g +/-6
		Pack Size	100 per bag
		Stock Colours	Non stock item 2-3 week lead-time

Additional Information
4 pallet minimum order for coloured buckets Printing available please contact us for a quotation

PPREF	Issue	Date of Issue	Approved By
AT	A	08/05/07	Roy Miller